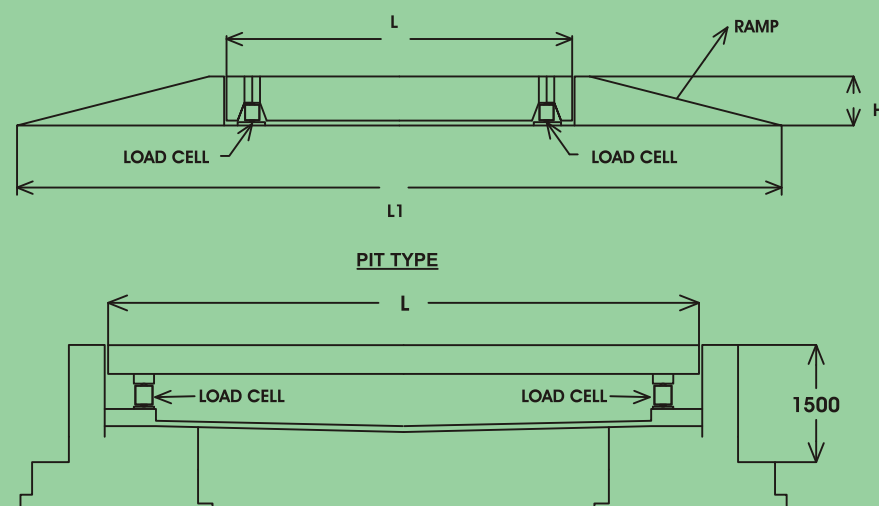


FEATURES

- Optimised platform construction with high overload capacity
- Pitless installation with minimum civil construction
- Software "BRIDGEWEIGH" working on Windows Platform.
- Micro controller based electronics
- Hermetically sealed strain gauge load cell
- Type approval No. IND/09/06/479

PLATFORM SIZE	CAPACITY	RESOLUTION	L	H	L1
6M x 3M	30T/40T	5 Kg.	6000	522	17080
8M x 3M	30T/40T	5 Kg.	8000	572	20080
9M x 3M	30T/40T	5 Kg.	9000	572	21080
12M x 3M	40T/50T	10 kg.	12000	722	27080
16M x 3M	60T	10 Kg.	16000	572	28100
18M x 3M	80T	20 Kg.	18000	624	39000

PITLESS TYPE



RANGE OF PRODUCTS

- Strain Gauges
- Load Cells
- Pressure Transducers
- Torque Transducers
- Piezo Electric Accelerometers
- Signal Conditioners
- Trip Safe
- Indicators & Controllers
- Vibration Meters & Vibration Switches
- Weigh Feeders
- Belt Scales
- Bag Check Weighers
- Batching Systems
- Hopper/Silo/Tank Weighing Systems
- Force Measuring Systems
- Bagging Systems
- Loss-in Weight Feeders
- Crane Scales
- Crane Weighing Systems
- On-Line Weighing Systems
- Axle Weighers
- Aircraft Weighing Systems
- Throughput Weighers
- Check Weighers

IPA Pvt. Ltd.

472/B2, 12th Cross, IVth Phase, Peenya Industrial Area,
BANGALORE - 560 058. KARNATAKA, INDIA.
Phone: 2836 0253 / 2836 2851 Fax: (080) 2836 0520 / 2836 0022.
E-mail: ipa@ipaindia.com, sales@ipaindia.com
Website : www.ipaindia.com

**ISO 9001 : 2000
CERTIFIED COMPANY**

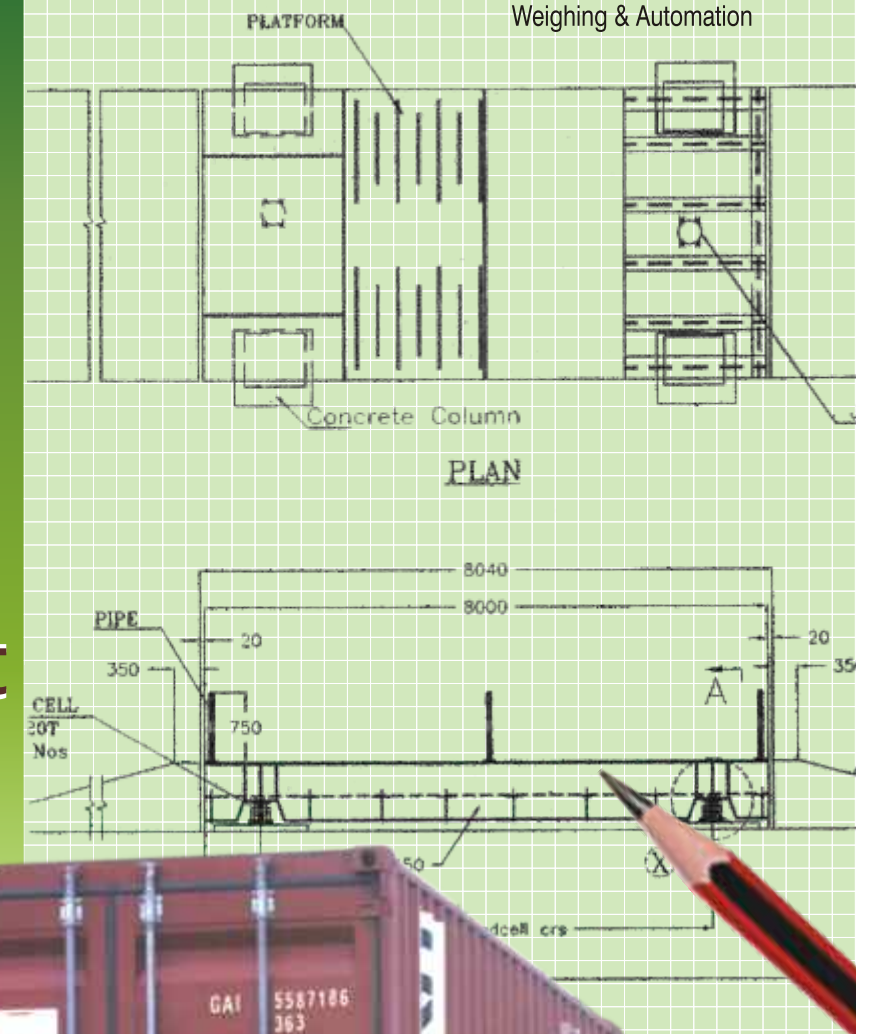
G/PA/CT 353 10/12/07/2

STATIC ELECTRONIC WEIGHBRIDGES

CT 353 IO

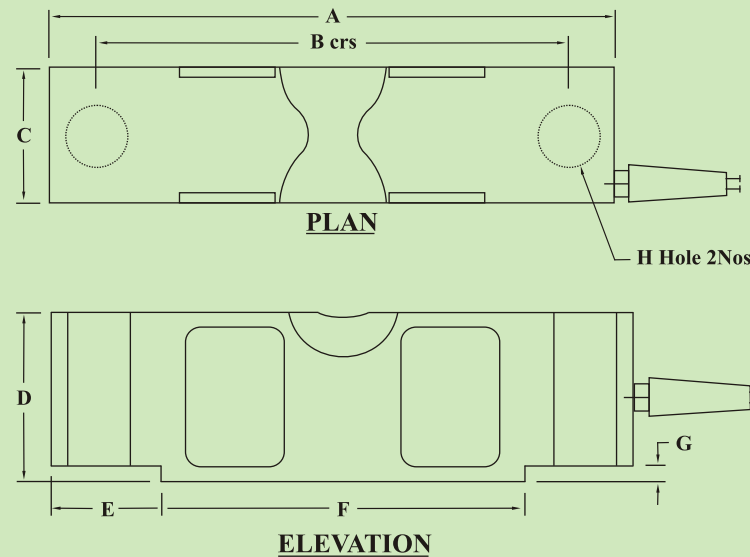


Weighing & Automation



**Product
Component
& Design**

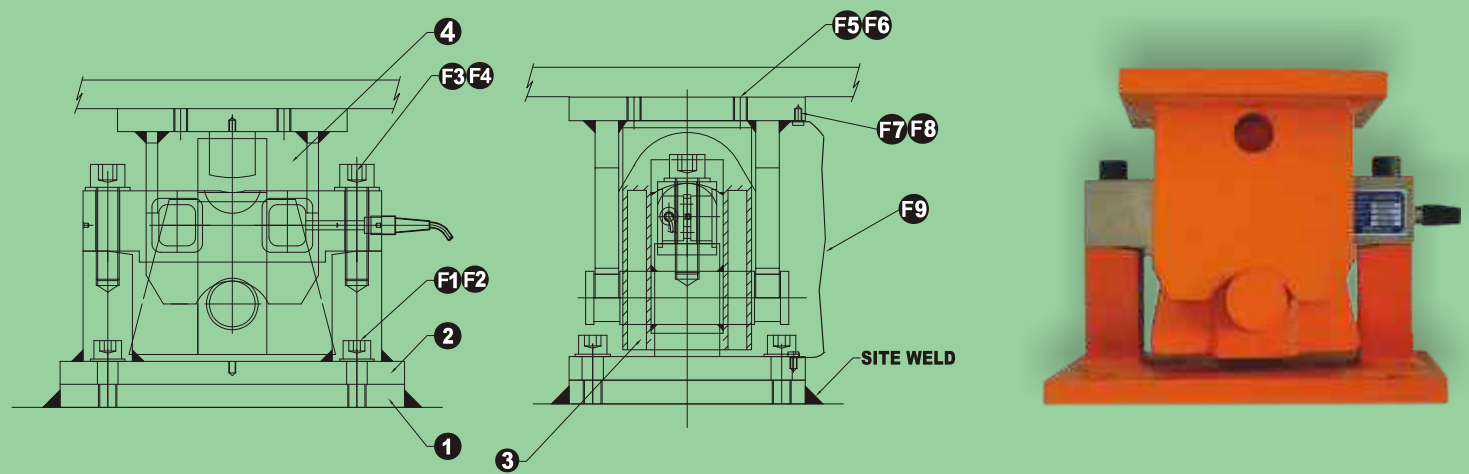
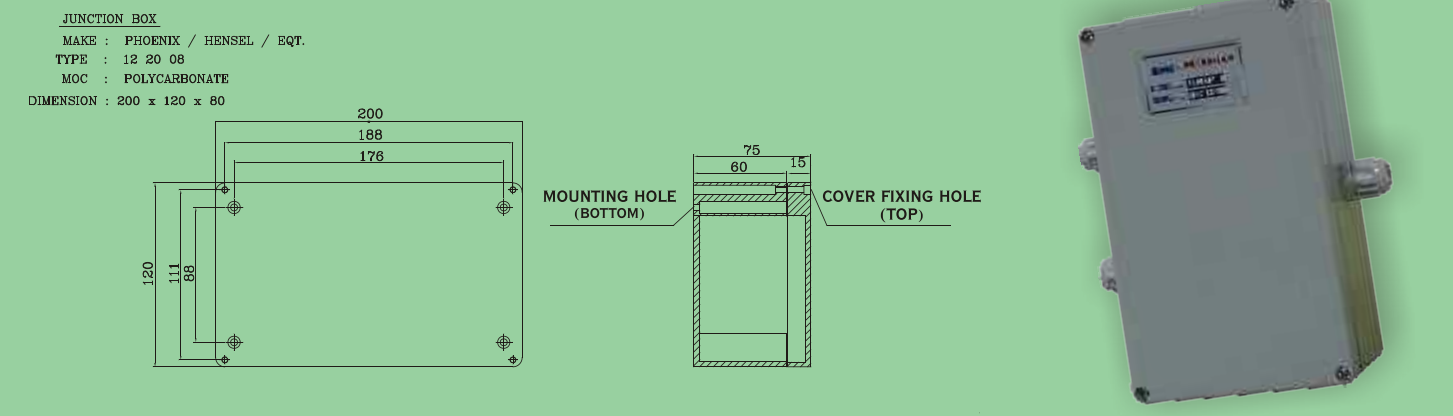
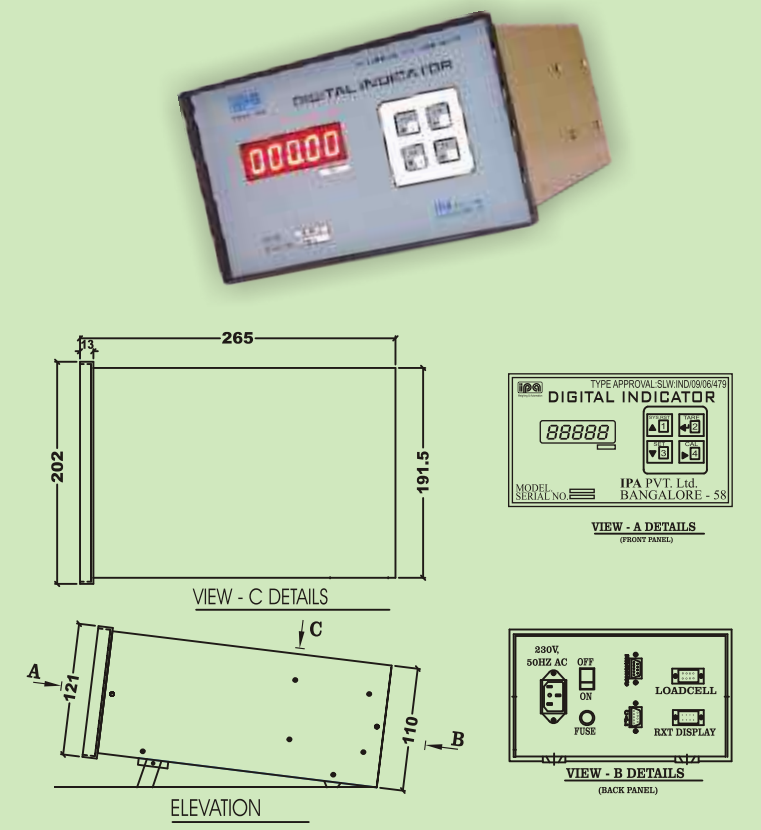




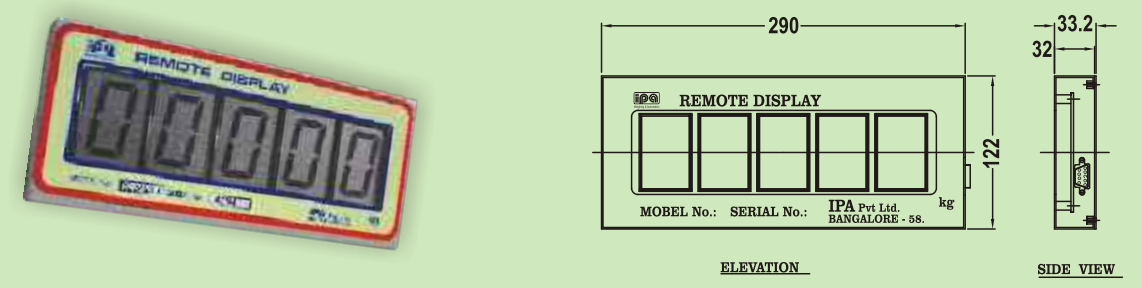
CAPACITY		
	10t & 15t	20t & 30t
DIMENSIONS	A =	197 260
	B =	165 217
	C =	43 62
	D =	55 75
	E =	35 49
	F =	127 162
	G =	5 7.5
	H =	∅17 ∅25

LOADCELL & ACCESSORIES		
SI No.	Parameters	Specified Value
1	Model	SW Series
2	Type	Double Ended Shear Beam
3	Capacity (Tonne)	10/15 20/30
4	Rated out-put (mV/V) ± 0.01	2.2 3.0
5	Combined error (% R.O.) ±	0.05
6	Repeatability (% R.O.) ±	0.05
7	Creep on load (30 min) (%R.O.)±	0.05
8	Zero balance voltage (% of FSO)	0.003
9	In-put resistance (Ohms) ± 10	390
10	Out-put resistance (Ohms) ± 2	350
11	Compensated Temp. Range (°C)	5 - 55
12	Operating Temp. (°C)	5 - 70
13	Temp. Effect on span (%/°C)	0.003
14	Temp. Effect on Tare (%/°C)	0.008
15	Excitation voltage (DC/AC-max 12 V)	10
16	Safe overload (%)	200
17	Ultimate overload (%)	300
18	Protection Class	IP 68
19	Insulation Resistance, Bridge (Ohms)	> 1000 M
20	Cable	4 core shielded PU Sheathed

SPECIFICATIONS OF DIGITAL INDICATOR	
Model No.	DH340A0
Power Supply	230V, 50Hz AC
Operating Temperature	5°C - 50°C
Excitation to transducer	10V, 4-wire system
Input	mV from transducer corresponding to applied load.
Output	<ul style="list-style-type: none"> RS-232 C output corresponding to load and compatible with standard weighbridge softwares Serial output for remote display
Display	5 digits, 13mm, 7 segment, Red LED
Features	Programmable parameters Time constant Decimal point Resolution Over range Zero Limit Tare Tare recall Tare and Calibration through keypad System reset Load calibration factor
Software	Windows based "BRIDGEWEIGH"



PART NO.	DESCRIPTION	PART NO.	DESCRIPTION	PART NO.	DESCRIPTION
1	BOTTOM PLATE	F1	SOCKET HEAD CAP SCREW	F5	SOCKET HEAD CAP SCREW
2	LOADCELL BASE FRAME	F2	PLAIN WASHER	F6	PLAIN WASHER
3	CRADLE	F3	SOCKET HEAD CAP SCREW	F7	HEX HEAD BLOT
4	LOADING FRAME	F4	PLAIN WASHER	F8	PLAIN WASHER
		F9	SHORTING LINK		



SPECIFICATION OF REMOTE DISPLAY	
Model	RD... Series
Mounting	Wall
Display	5 digit 7 segment LCD/LED 50 mm Character height
Supply & Signal	Derived from Digital Indicator